

Figure 1

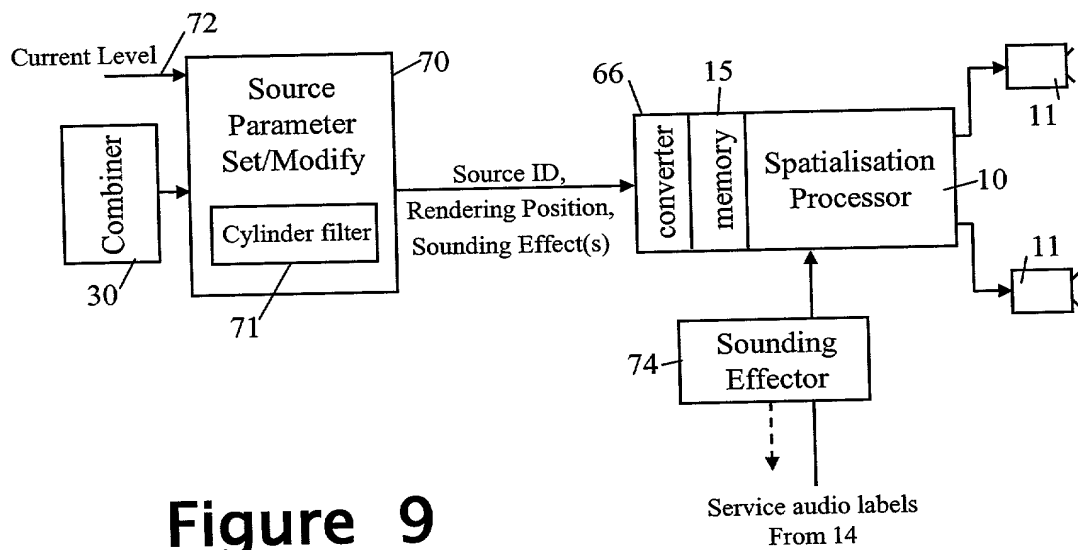


Figure 9

202507080001

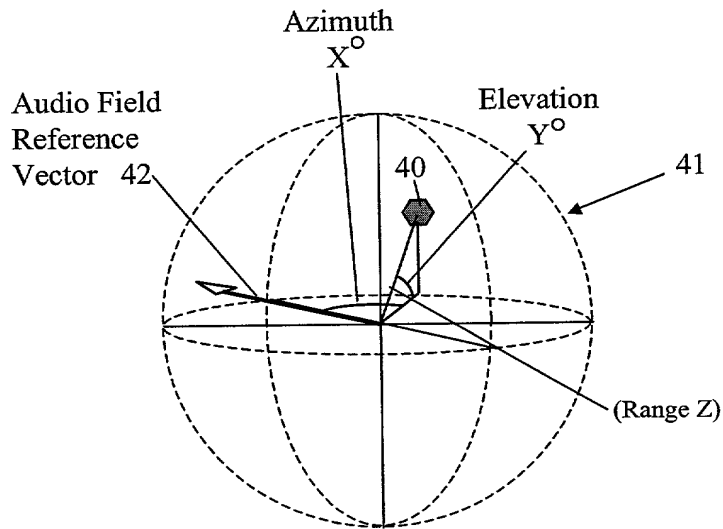


Figure 2

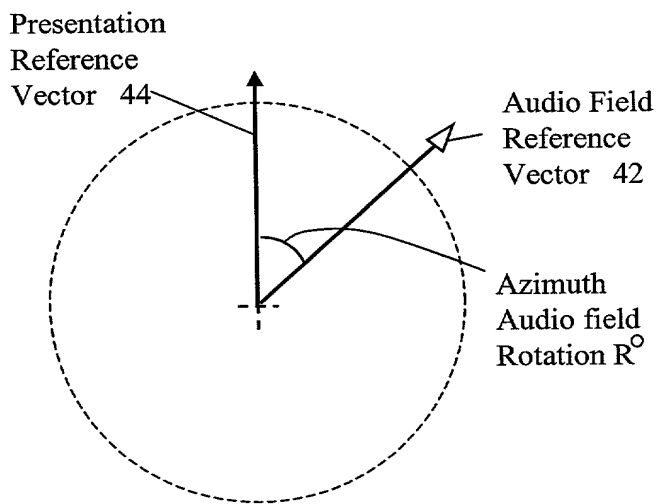


Figure 3

1005210-02025001

3/14

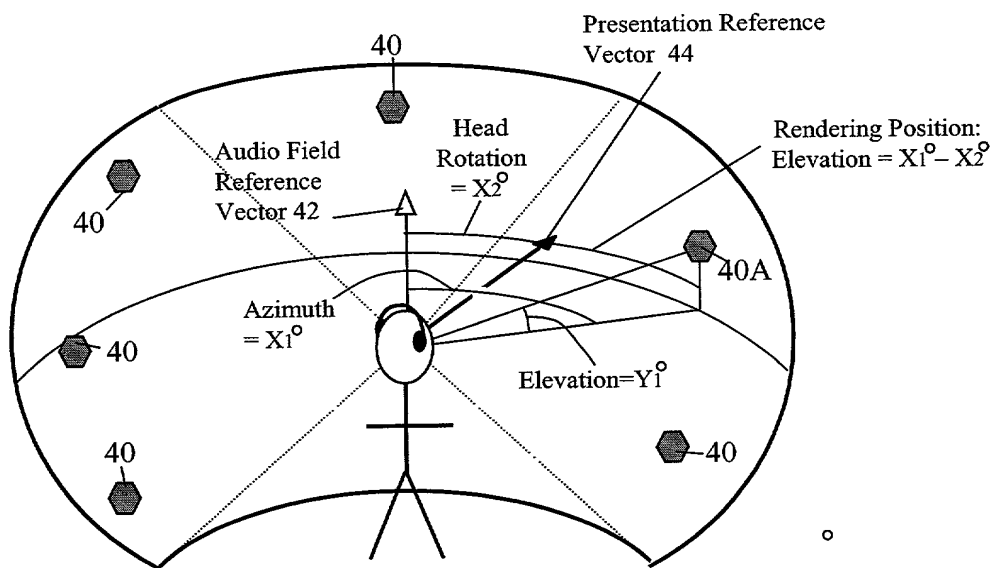


Figure 4

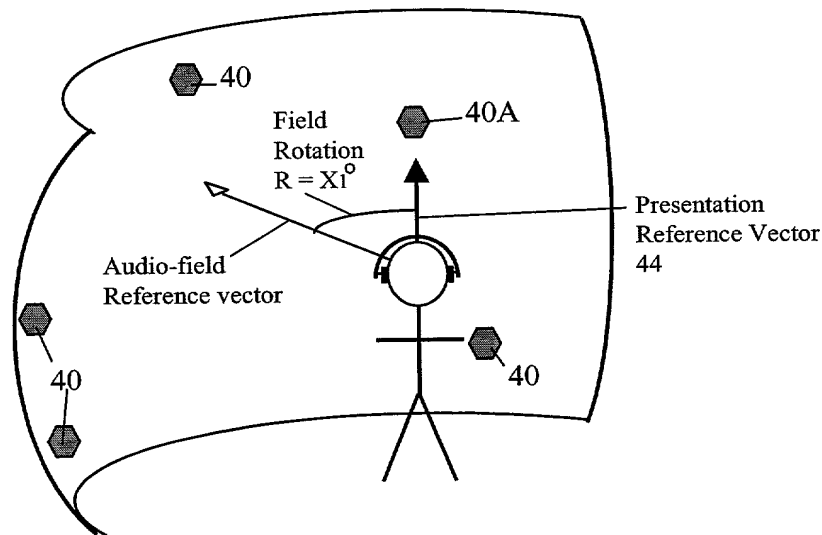


Figure 5

00000-000000

4/14

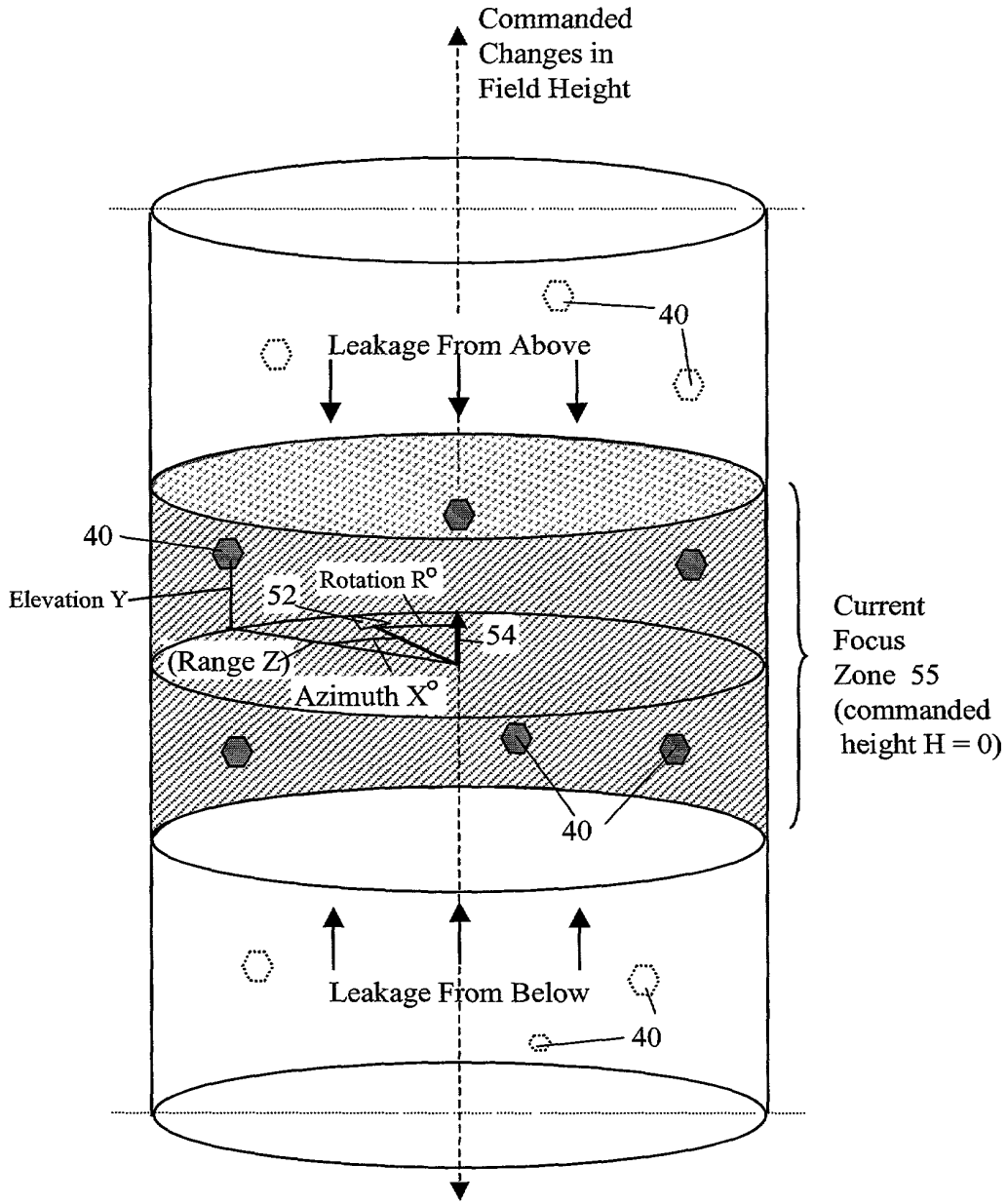


Figure 6

000210 02085001

5/14

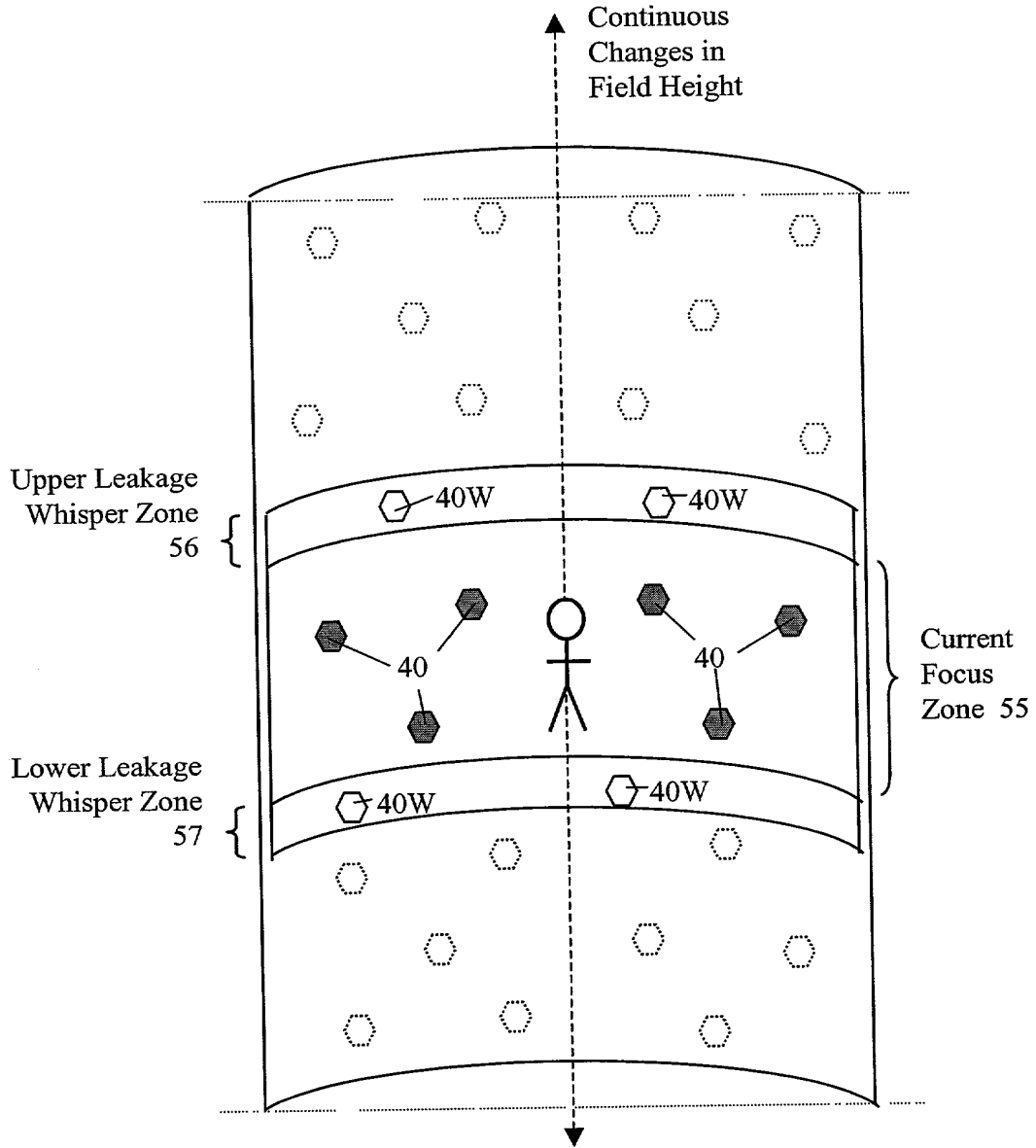
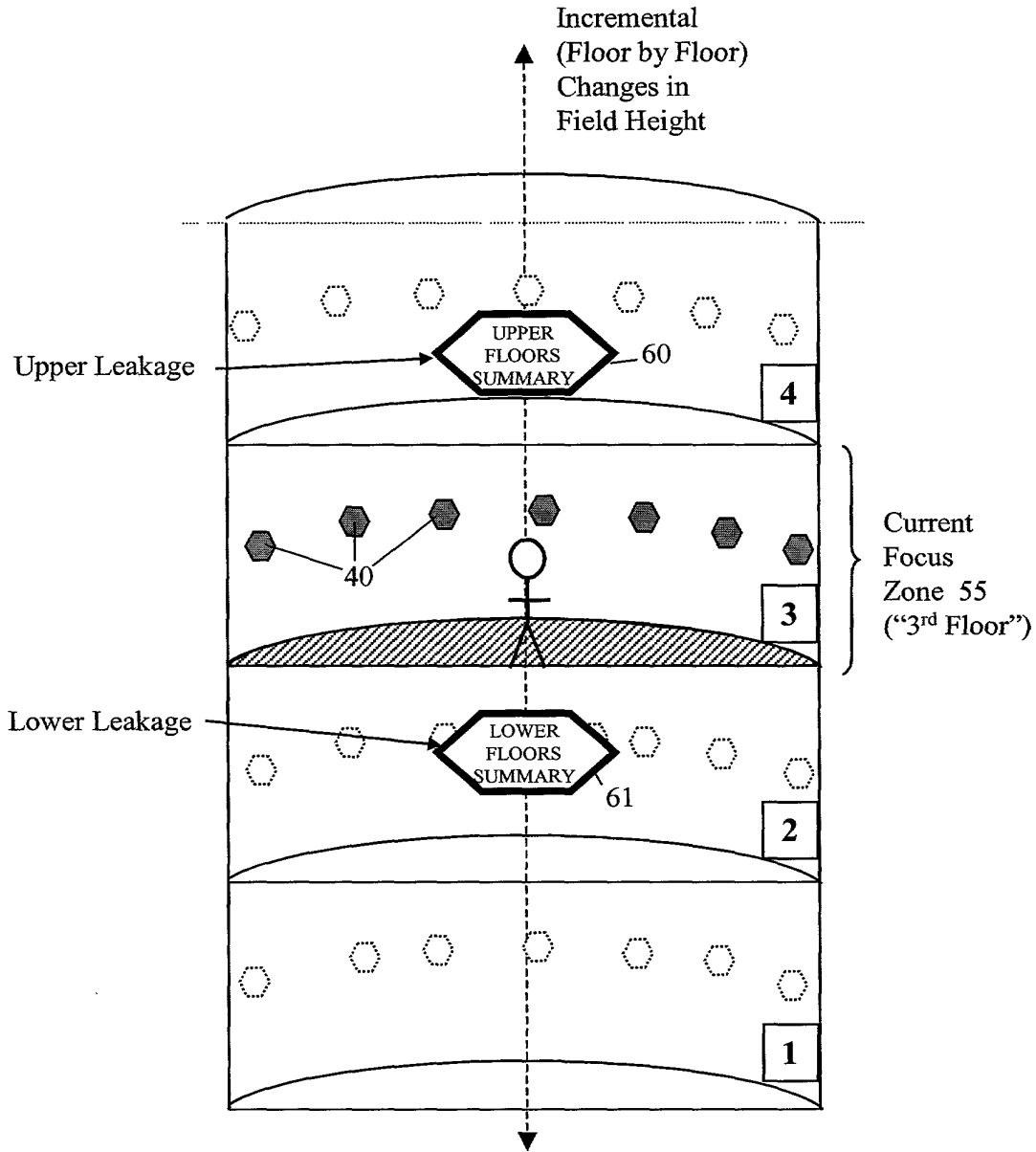


Figure 7

2025-05-14

6/14



202508-020001

Figure 8

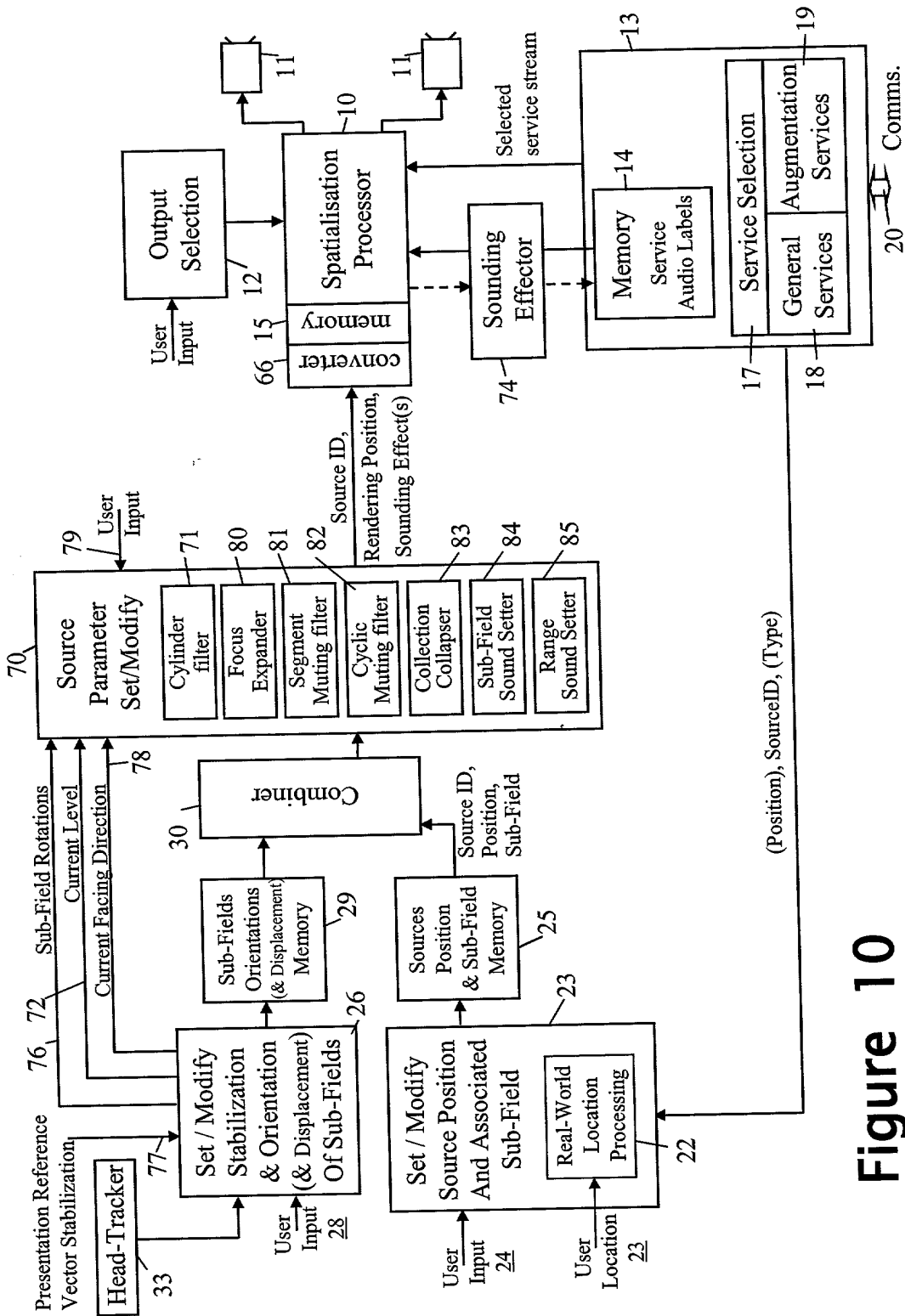


Figure 10

8/14

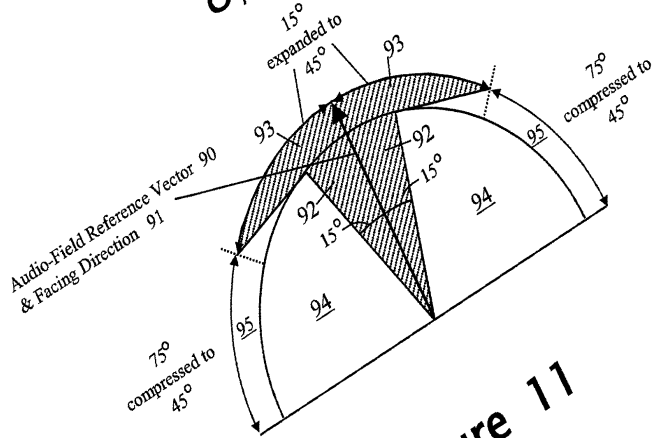


Figure 11

110050020-0120000

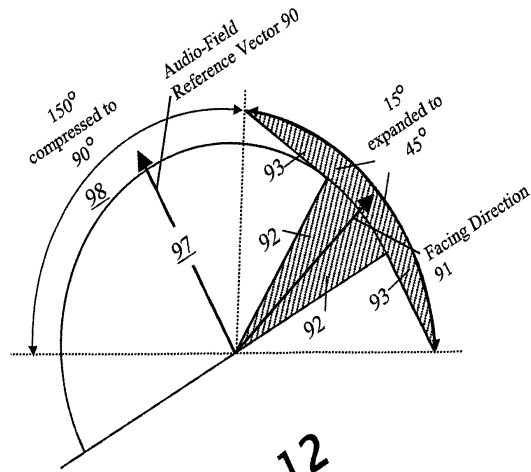


Figure 12



9/14

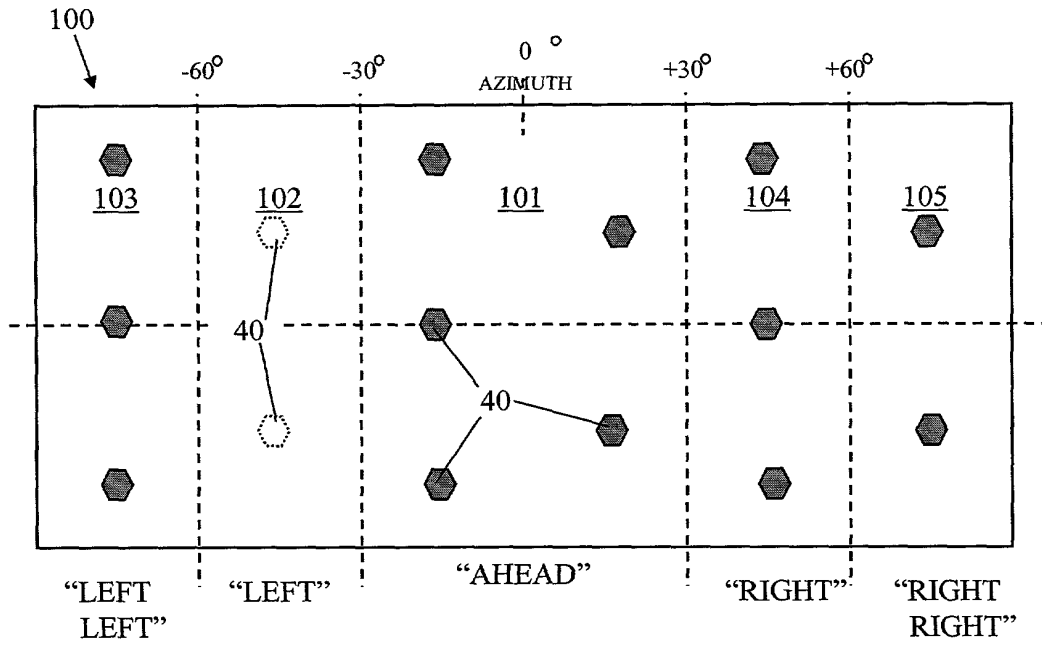


Figure 13

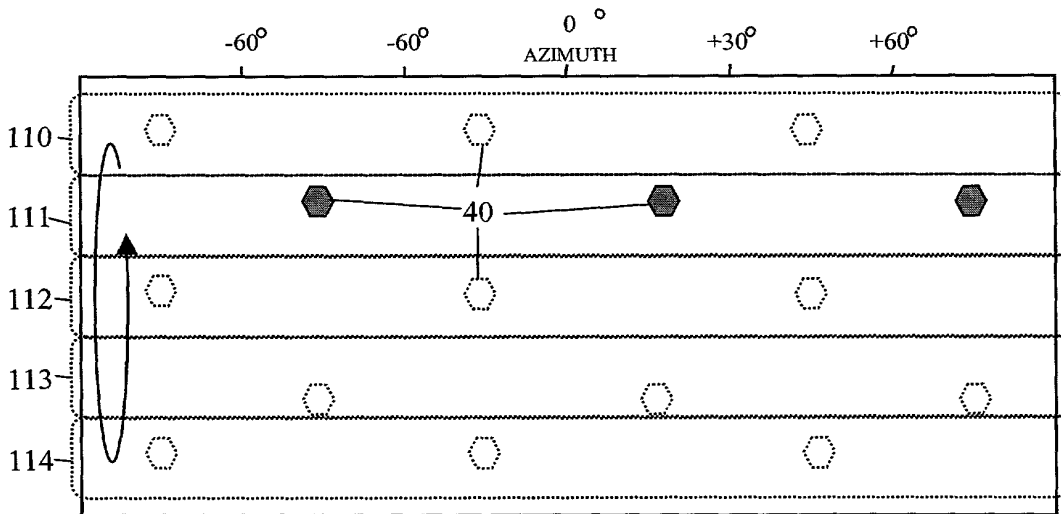


Figure 14

020210-020210-01

10/14

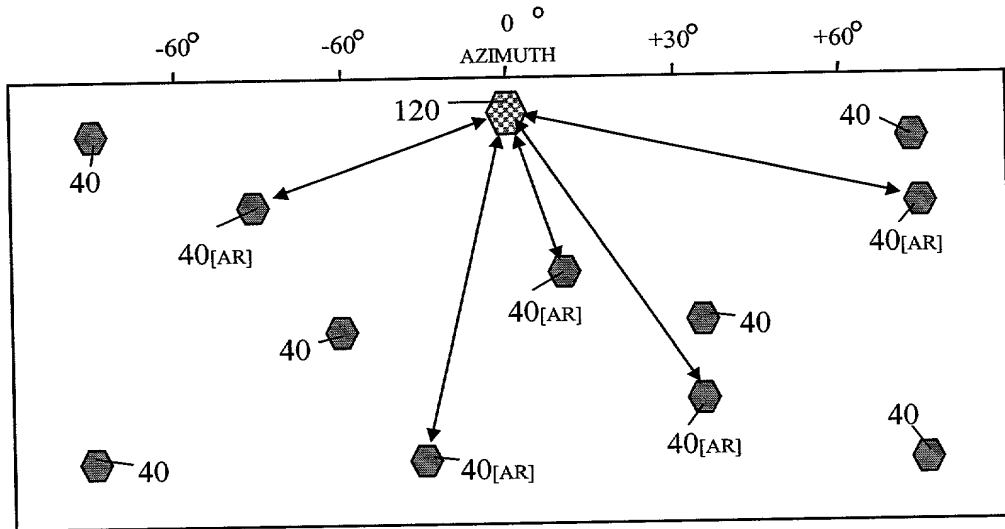


Figure 15

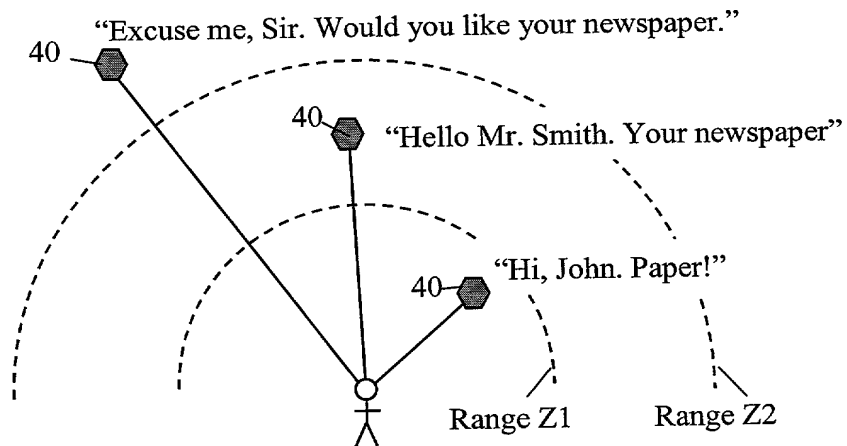


Figure 16

1005250-0000000

20250408 08:20:00

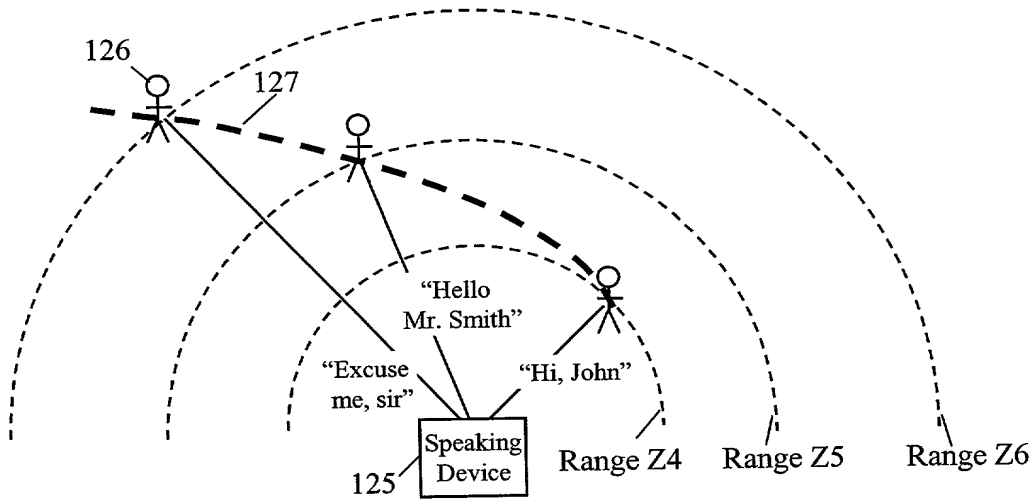


Figure 17

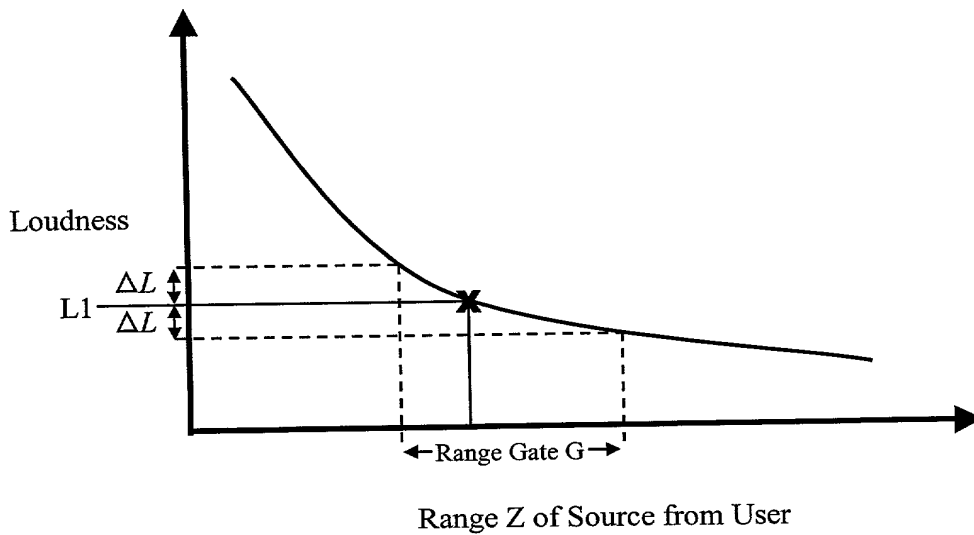


Figure 19

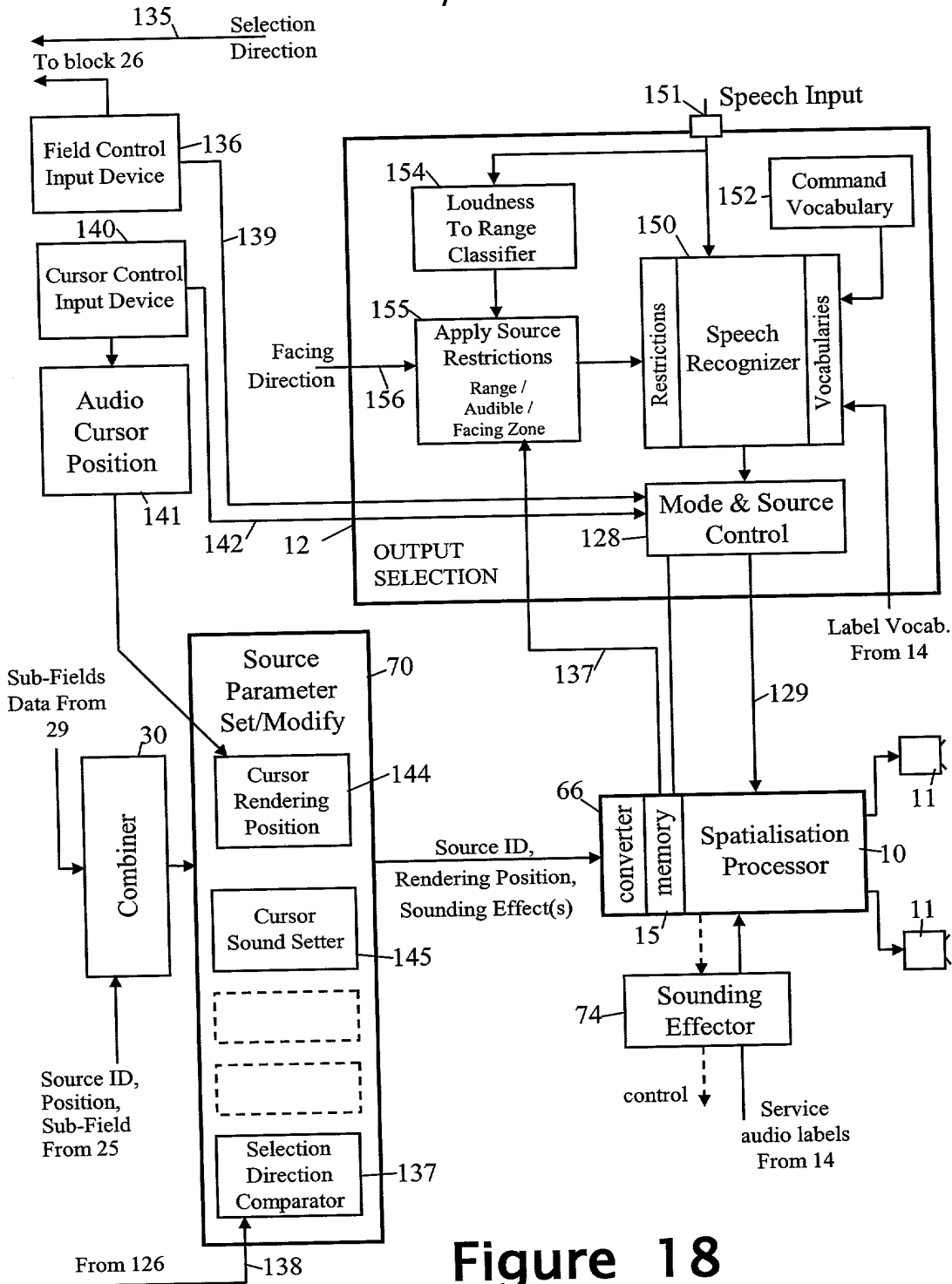


Figure 18

2025 RELEASE UNDER E.O. 14176

Figure 20

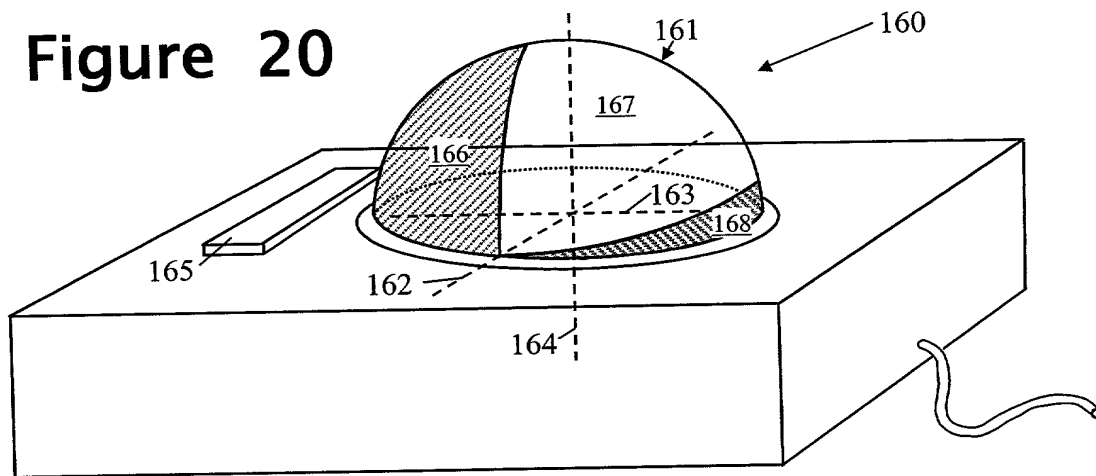


Figure 21

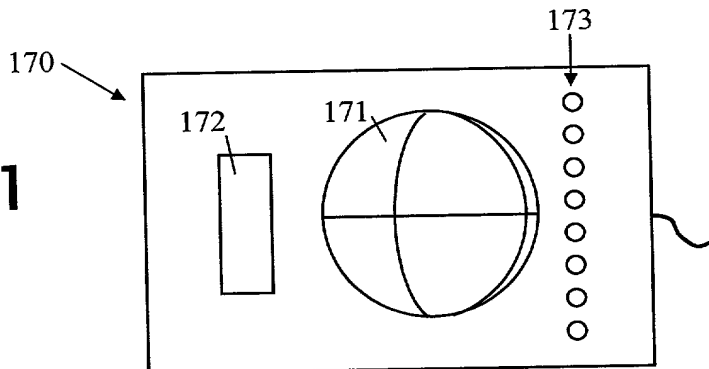
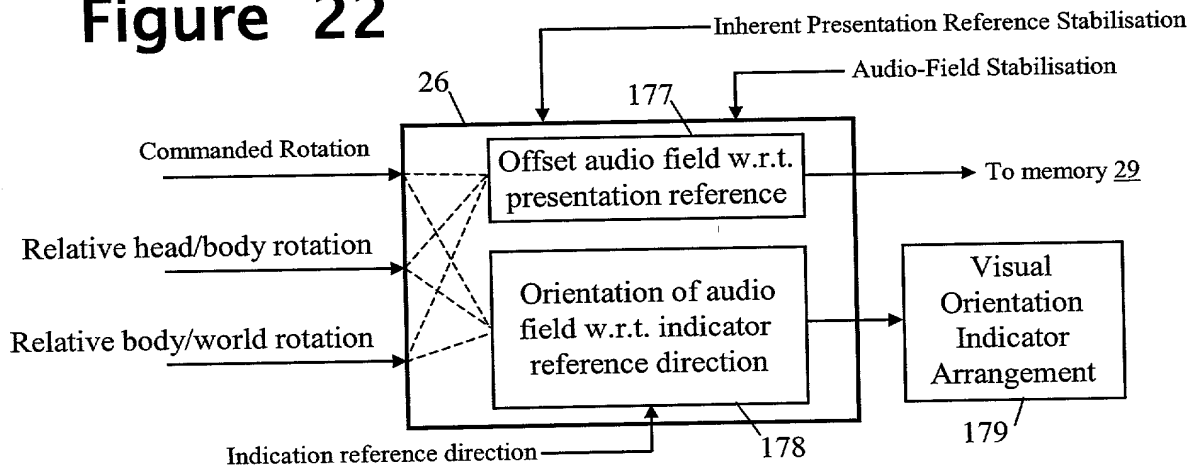


Figure 22



14/14

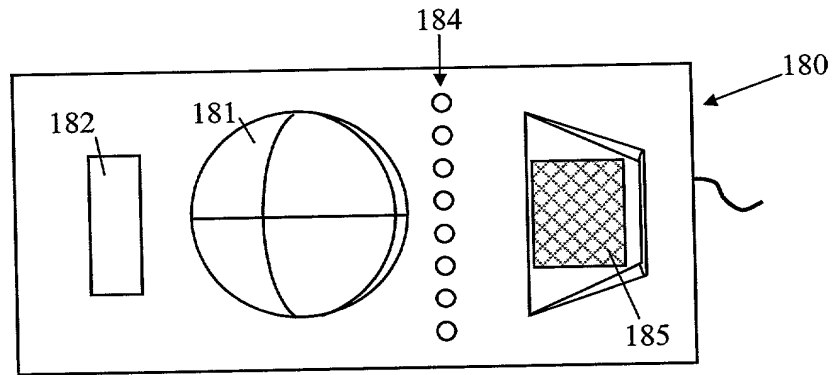


Figure 23

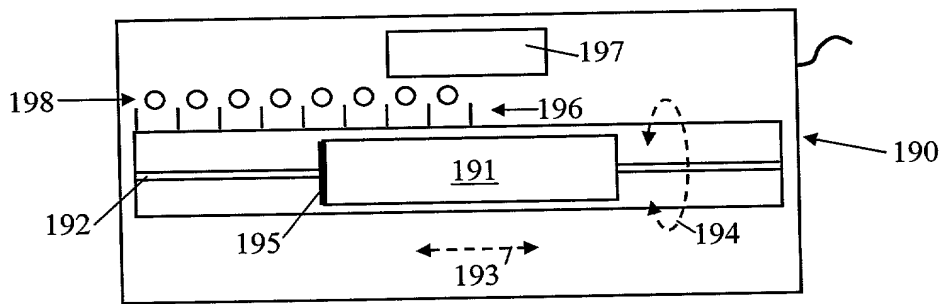


Figure 24

2025 RELEASE UNDER E.O. 14176